

Accessibility Evaluation

Monroe County Polling Location



**Eastview Church of the Nazarene
4545 E Lampkins Ridge Rd
Bloomington, IN 47401**

**Inspection Date: 03/13/2026
Inspectors: Michael Bird, Annabelle Vosmeier**

**Prepared By
Monroe County
(916) 473 - 9444**

Report Date: 04/07/2026

Table of Contents

Findings	3
Exterior	3
Parking	3
Path of Travel	6
Interior	9
Restrooms	9

Exterior: Parking

Finding: 1

The van space is missing the required van identification sign.

Parking space identification signs shall include the International Symbol of Accessibility. Signs identifying van parking spaces shall contain the designation "van accessible."

2010 ADAS Section 502.6

Parking space identification signs shall include the International Symbol of Accessibility complying with 703.7.2.1. Signs identifying van parking spaces shall contain the designation "van accessible." Signs shall be 60 inches (1525 mm) minimum above the finish floor or ground surface measured to the bottom of the sign.

Citation:

2010 ADAS Section: 502.6

Recommendation:

Add temporary or permanent van accessible signage.



Exterior: Parking

Finding: 2

The striping for the accessible parking space is dilapidated and in need of repair and/or maintenance.

2010 ADAS Section 502.2

Car parking spaces shall be 96 inches (2440 mm) wide minimum and van parking spaces shall be 132 inches (3350 mm) wide minimum, shall be marked to define the width, and shall have an adjacent access aisle complying with 502.3.

2010 ADAS Section 502.2 Exception

Van parking spaces shall be permitted to be 96 inches (2440 mm) wide minimum where the access aisle is 96 inches (2440 mm) wide minimum.

Citation:

2010 ADAS Section: 502.2, 502.2 Exception

Recommendation:

Mark spaces and access aisles with cones and strings with flags.



Exterior: Parking

Finding: 3

The access aisle is not located on an accessible route of travel to the accessible building entrance.

Accessible parking spaces serving a particular building shall be located on the shortest accessible route of travel from parking to an accessible entrance. In buildings with multiple accessible entrances with adjacent parking, accessible parking spaces shall be dispersed and located closest to the accessible entrances.

2010 ADAS Section 208.3.1

Parking spaces complying with 502 that serve a particular building or facility shall be located on the shortest accessible route from parking to an entrance complying with 206.4. Where parking serves more than one accessible entrance, parking spaces complying with 502 shall be dispersed and located on the shortest accessible route to the accessible entrances. In parking facilities that do not serve a particular building or facility, parking spaces complying with 502 shall be located on the shortest accessible route to an accessible pedestrian entrance of the parking facility.

2010 ADAS Section 502.3

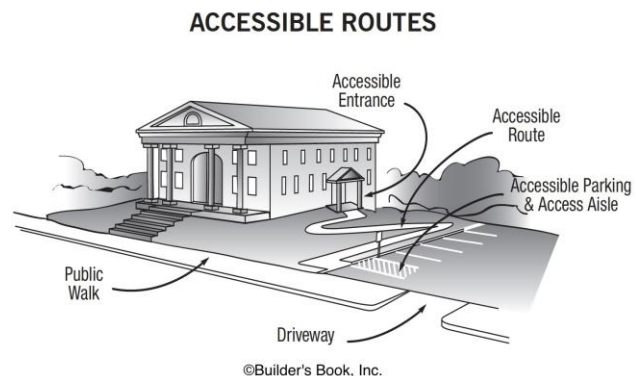
Access aisles serving parking spaces shall comply with 502.3. Access aisles shall adjoin an accessible route. Two parking spaces shall be permitted to share a common access aisle.

Citation:

2010 ADAS Section: 208.3.1, 502.3

Recommendation:

Consider adding cones to define a path of travel from the access aisle to the curb ramp.



Exterior: Path of Travel

Finding: 4

The path of travel contains multiple issues and is not accessible.

2010 ADAS Section 403.1

Walking surfaces that are a part of an accessible route shall comply with 403.

Citation:

2010 ADAS Section: 403.1

Recommendation:

The path of travel around the south side of the building is partially obstructed (see red circle in image). Add signage directing wheelchair users to the front door as an alternate accessible entrance.



Exterior: Path of Travel

Finding: 5

The door opening does not provide at least 32 inches between the face of the door and the opposite stop.

Door openings shall provide a clear width of 32 inches minimum. Clear openings of doorways with swinging doors shall be measured between the face of the door and the stop, with the door open 90 degrees.

2010 ADAS Section 404.2.3

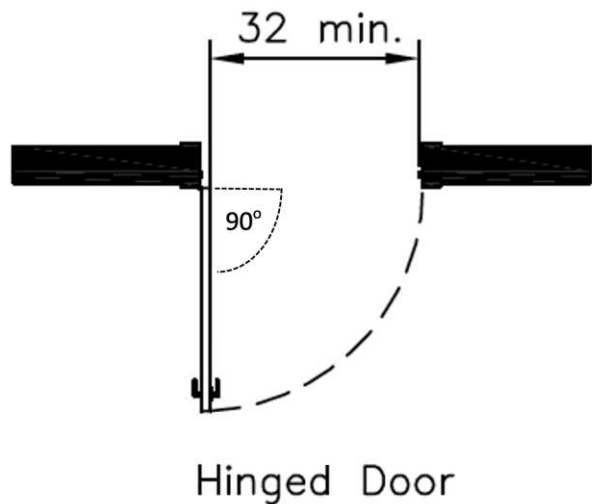
Door openings shall provide a clear width of 32 inches (815 mm) minimum. Clear openings of doorways with swinging doors shall be measured between the face of the door and the stop, with the door open 90 degrees. Openings more than 24 inches (610 mm) deep shall provide a clear opening of 36 inches (915 mm) minimum. There shall be no projections into the required clear opening width lower than 34 inches (865 mm) above the finish floor or ground. Projections into the clear opening width between 34 inches (865 mm) and 80 inches (2030 mm) above the finish floor or ground shall not exceed 4 inches (100 mm).

Citation:

2010 ADAS Section: 404.2.3

Recommendation:

Add signage directing wheelchair users to the front door as an alternate accessible entrance.



Exterior: Path of Travel

Finding: 6

The door opening does not provide at least 32 inches between the face of the door and the opposite stop.

Door openings shall provide a clear width of 32 inches minimum. Clear openings of doorways with swinging doors shall be measured between the face of the door and the stop, with the door open 90 degrees.

2010 ADAS Section 404.2.3

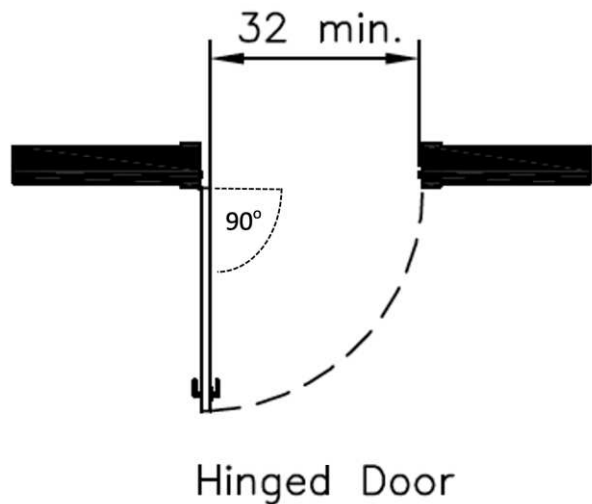
Door openings shall provide a clear width of 32 inches (815 mm) minimum. Clear openings of doorways with swinging doors shall be measured between the face of the door and the stop, with the door open 90 degrees. Openings more than 24 inches (610 mm) deep shall provide a clear opening of 36 inches (915 mm) minimum. There shall be no projections into the required clear opening width lower than 34 inches (865 mm) above the finish floor or ground. Projections into the clear opening width between 34 inches (865 mm) and 80 inches (2030 mm) above the finish floor or ground shall not exceed 4 inches (100 mm).

Citation:

2010 ADAS Section: 404.2.3

Recommendation:

Add signage directing wheelchair users to the front door as an alternate accessible entrance.



Interior: Restrooms

Finding: 7

A compliant room identification sign is missing on the strike side of the door.

Wall signs identifying permanent rooms and spaces of a building shall be a horizontal format and the characters raised 1/32 inch minimum and shall be sans serif uppercase characters a minimum of 5/8 inch and a maximum of 2 inches high. Contracted Grade 2 Braille shall be in a horizontal format and shall be placed a minimum of 3/8 inch and a maximum of 1/2 inch directly below the tactile characters; flush left or centered. Signs with raised characters or Braille shall be located 48 inches minimum above the finish floor or ground surface, measured from the baseline of the lowest tactile character and 60 inches maximum above the finish floor or ground surface, measured from the baseline of the highest tactile character.

2010 ADAS Section 216.2

Interior and exterior signs identifying permanent rooms and spaces shall comply with 703.1, 703.2, and 703.5. Where pictograms are provided as designations of permanent interior rooms and spaces, the pictograms shall comply with 703.6 and shall have text descriptors complying with 703.2 and 703.5.

Citation:

2010 ADAS Section: 216.2

Recommendation:

Install temporary compliant signage identifying the type of restroom.

